



CONTACT

Quality Leader in
Truck Attachments

○ Drum handlers

○ Self powered attachments

○ Lifting devices and booms

○ Wide load handling

○ Recycling containers

○ Premises cleaning

○ Fall prevention cages

○ Truck forks

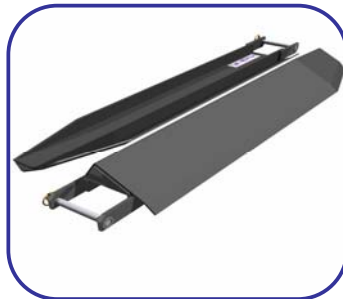


Contact Attachments
Mochdre Industrial Estate
Newtown
Powys
SY16 4LE

tel : 01686 611200
fax : 01686 611201

Triangular Fork Extensions

The ideal solution to stabilise rolls when carried length ways on the forks



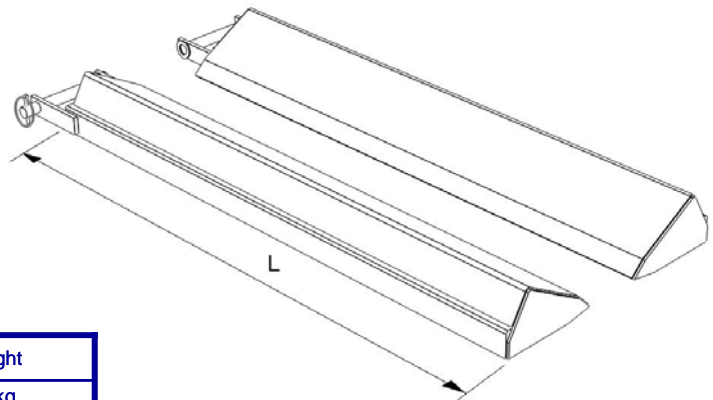
Use :-

Slip over truck forks to allow cylindrical loads such as paper reels, cable drums etc. to be carried without them rolling off the forks.

Ordering Information :-

Fork width, thickness & Length ?
Details of load to be handled ?

Model Ref.	Sleeve Length (L)	Max Fork Width	Max fork Thickness	Minimum Fork length
TFE 100-1525	1525 mm	100 mm	50 mm	1050 mm
TFE 100-1830	1830 mm	100 mm	50 mm	1200 mm
TFE 125-1525	1525 mm	125 mm	50 mm	1050 mm
TFE 125-1830	1830 mm	125 mm	50 mm	1200 mm
TFE 150-1525	1525 mm	150 mm	60 mm	1050 mm
TFE 150-1830	1830 mm	150 mm	60 mm	1200 mm



Model Ref.	Weight
TFE 100-1525	60 kg
TFE 100-1830	70 kg
TFE 125-1525	66 kg
TFE 125-1830	80 kg
TFE 150-1525	82 kg
TFE 150-1830	100 kg

www.forklift-attachments.co.uk
email : sales@forklift-attachments.co.uk

Freephone
**0800
028 3332**

Call now for your personal
quote and further info

